

INSTALLATION AND OPERATION INSTRUCTIONS



IMPORTANT

Installation of the luminaire should be carried out by a duly authorised person.

SAFETY INSTRUCTIONS

Before proceeding to any work on the luminaire, always switch off the supply voltage first!

I-LENS LUMINAIRE INSTALLATION PROCEDURE (lines):

1. Switch off the supply voltage.
2. Screw the prepared wire slings (M5 eyebolt) into the luminaire mounting brackets.
3. Connect the power cord to the power connector as per the diagram (DALI) (Fig. 1).
4. Select the power cord on the phase selection connector.
5. Install more I-LENS luminaires on the wire slings.
6. Connect the luminaires by connecting the centre power connectors and sliding the guides into the luminaire profile, then locking the luminaires with a metal clamp and screw.
7. Make sure that the luminaires are mounted horizontally (adjust the length of the sling if necessary - NOTE! At least 7 mm of the adjusting screw must remain in the bracket).
8. Attach the next luminaires to the luminaires already installed following steps 5, 6 and 7.
9. Use end caps at the ends of the light lines.
10. Make sure that the mechanical assembly is correct.
11. Do not exceed the maximum number of luminaires in a single light line.
12. Make sure that the electrical installation is correct.
13. Switch on supply voltage.

LINEAR MODULE CONNECTORS (OPTIONAL)

	I-LENS-LACZ-90	Angle connector - 90
	I-LENS-LACZ-2	Straight connector
	I-LENS-LACZ-3	Tee-connector
	I-LENS-LACZ-4	Cross-connector

	I-LENS-BLANK-900 I-LENS-BLANK-1700 I-LENS-BLANK-2600 I-LENS-BLANK-3400	Through module, not luminous, length corresponding to the length of the linear modules
--	---	--

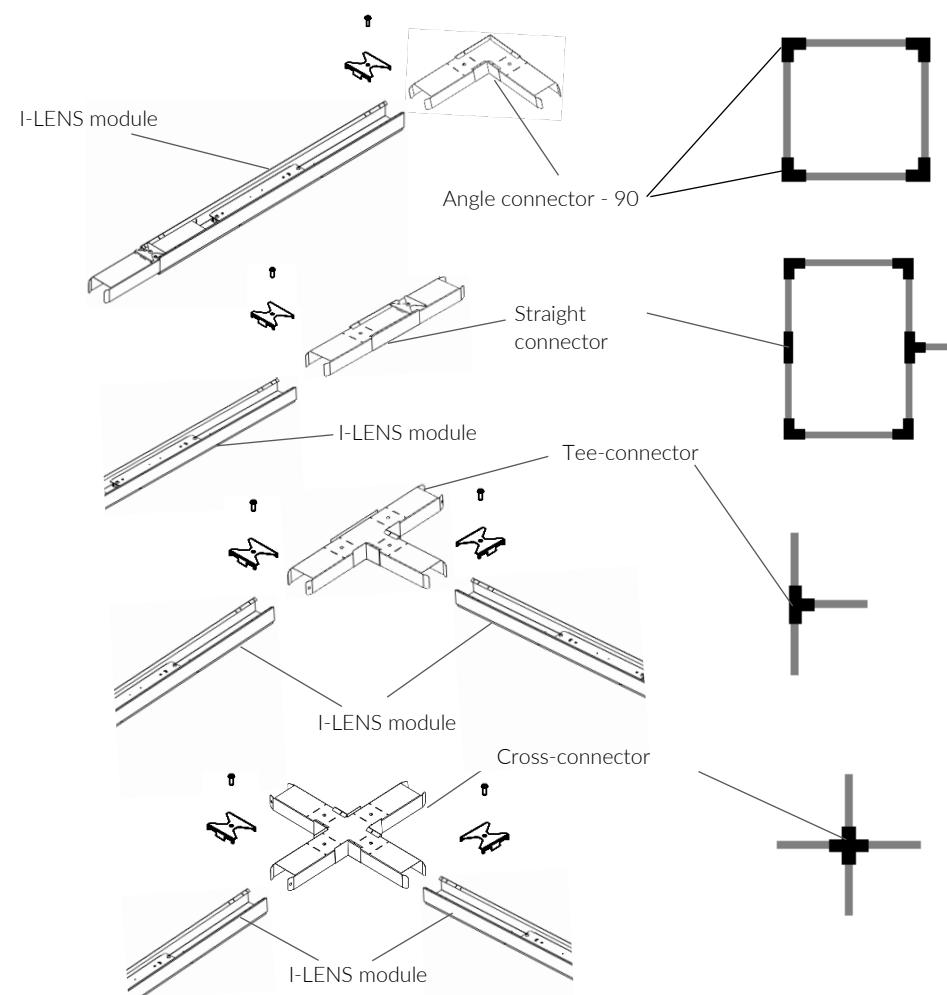
Installation of wire slings for I-LENS 2.0

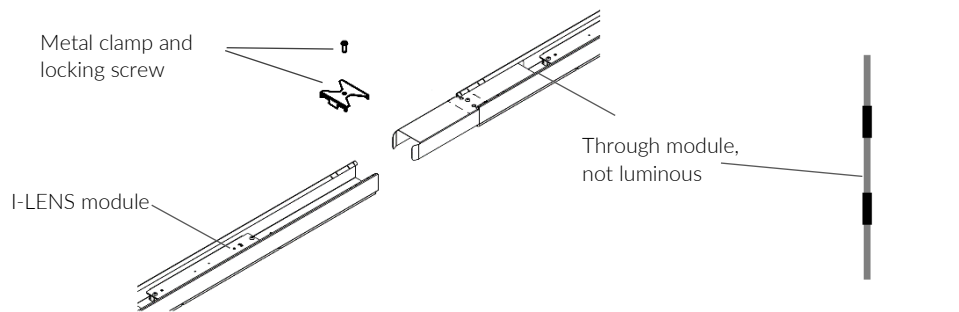


M5 eyebolt, 2bolts per luminaire

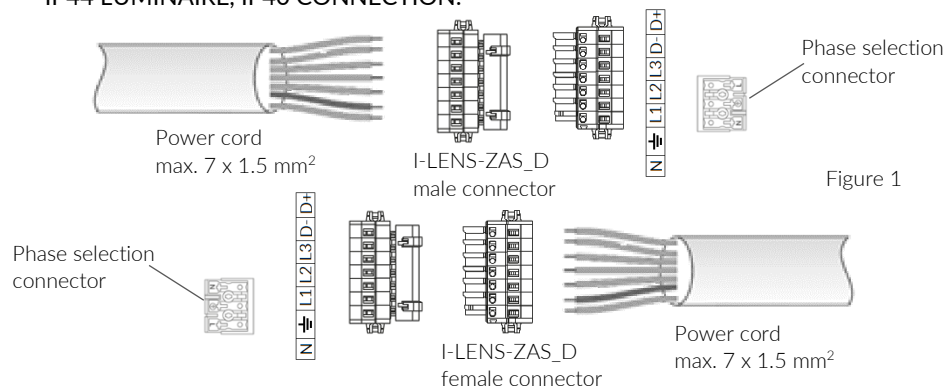
Mounting bracket, 2 per luminaire

APPLICATION DIAGRAM FOR CONNECTORS WITH LINEAR MODULE



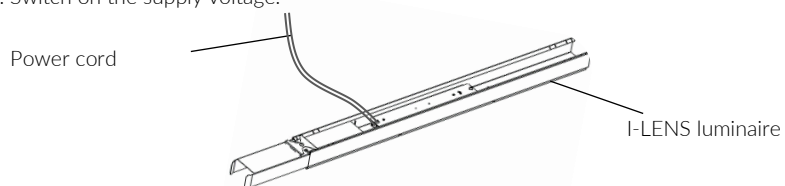


IP44 LUMINAIRE, IP40 CONNECTION:



I-LENS-S LUMINAIRE INSTALLATION PROCEDURE (solo):

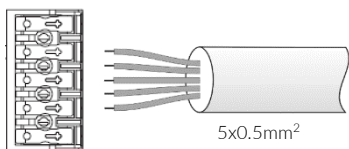
1. Switch off the supply voltage.
2. Fix the prepared wire slings to the mounting holes in the luminaire
3. Connect the luminaire's power wires to the power cube as per the diagram,
4. Make sure that the mechanical assembly is correct.
5. Switch on the supply voltage.



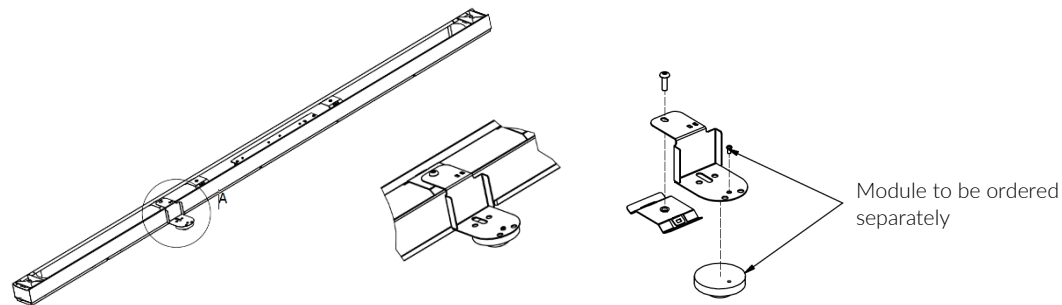
IP44 LUMINAIRE, IP40 CONNECTION:

DALI:

black - DA-
grey - DA+
yellow-green - PE
blue - N
brown - L



MOUNTING DIAGRAM FOR BOA EMERGENCY LUMINAIRE MODULE:



MAINTENANCE:

To ensure optimum luminous flux, carry out routine maintenance of the protective lampshade. Use cleaning agents for this purpose. Do not clean with pressurised water. Do not use caustic agents or solvents. Use a soft cloth to wipe the luminaire dry.

PRODUCT GUARANTEE:

1. The following product of MILOO-ELECTRONICS Sp. z o. o. was designed and manufactured as per the applicable standards. To ensure proper functioning and user safety, the product is subject to quality control procedures during the production process. MILOO-ELECTRONICS Sp. z o. o. grants a guarantee of proper quality and functioning of the luminaire.
2. The guarantee does not include liability for consequential damage caused to third party property.
3. The guarantee service involves repair or replacement of defective parts at manufacturer's discretion.
4. The guarantee will not cover damage to parts subject to wear and tear, damage and malfunctions caused by improper operation or maintenance.
5. During the guarantee period, the manufacturer will correct any deficiencies caused by defects in material or workmanship.
6. The guarantee is valid only if the luminaire (complete rather than disassembled into parts), a brief description of the defect, receipt, bill of sale (with the date of purchase and stamp of the store) or a copy of the purchase invoice is sent or delivered to MILOO-ELECTRONICS Sp. z o. o. location.

For general guarantee terms and conditions visit:

<https://www.emiloo.pl/en/files>

REPAIR SERVICE:

In case of defects subject to guarantee, please send or deliver the product to the address of our company. Any repairs of defects outside the scope of product guarantee as well as post-guarantee repairs are carried out by our in-house service team and are estimated on case-by-case basis.



The light source used in this luminaire should only be replaced by the manufacturer or its service representative, or a similarly qualified person.

Given the constant product development we reserve the right to introduce design changes in luminaires and update luminaire parameters.

Revision date: 15.10.2021