

INSTALLATION AND OPERATION INSTRUCTIONS



IMPORTANT

Installation of the luminaire should be carried out by a duly authorised person.

SAFETY INSTRUCTIONS

Before proceeding to any work on the luminaire, always switch off the supply voltage first!

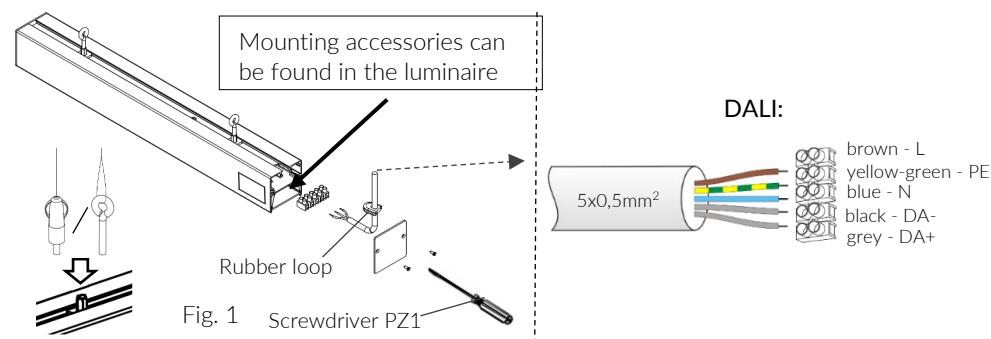
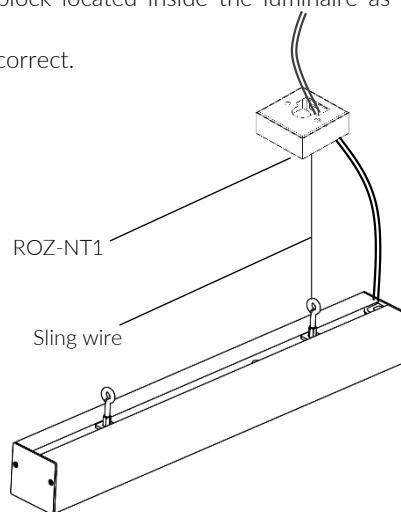
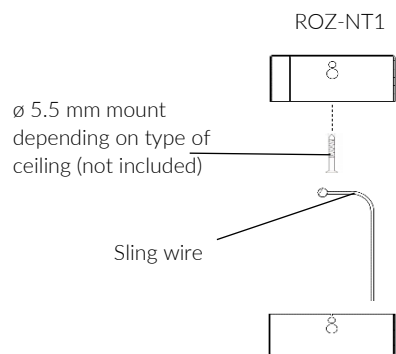
INTENDED USE:

I-LINE 2.0 can be surface mounted, wall mounted (mounting elements are available as a separate purchase), solo suspended or combined into light lines - depending on luminaire model. The luminaires are designed for office space or institutions.

I-LINE LIGHTING 2.0 solo - INSTALLATION PROCEDURE:

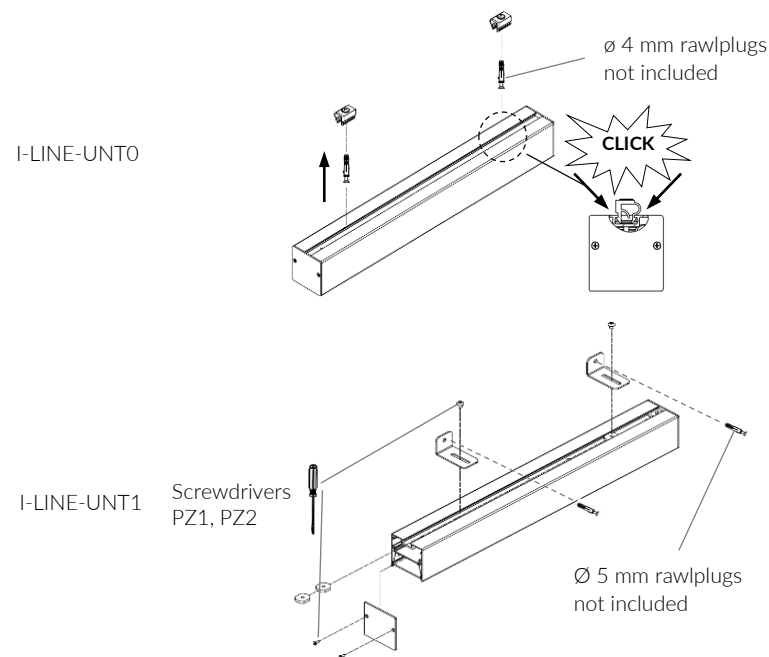
1. Switch off the supply voltage.
2. Prepare mounting holes in the ceiling and mounting accessories in the luminaire.
3. Screw the provided slings to the rail nuts in the luminaire profile (if necessary, attach to the ceiling the ROZ-NT1 surface-mounted headliner as per relevant instructions) and hang the luminaire.
4. Unscrew the luminaire cover on the side of the rating plate, find a notch in the profile with a rubber loop (with a PZ1 screwdriver), pull the power cord through the rubber loop (Fig. 1).
5. Connect the power cord to the terminal block located inside the luminaire as per the diagram, screw on the end cap.
6. Make sure that the mechanical assembly is correct.
7. Switch on the supply voltage.

Code	Mounting holes spacing R [mm]
I-LINE 2.0-490	419
I-LINE 2.0-600	505
I-LINE 2.0-980	907
I-LINE 2.0-1200	1050
I-LINE 2.0-1471	1365
I-LINE 2.0-1950	1853
I-LINE 2.0-2440	2347



I-LINE 2.0 solo luminaires can be combined into simple geometric shapes such as: square, rectangle, cross, triangle and star using fasteners. The kit contains all components necessary for the installation of fasteners. Details are presented in relevant fastener installation instructions.

Optional surface mounting of I-LINE 2.0 SOLO luminaire using additional brackets: surface mounted (I-LINE-UNTO - 2 pcs) or angle mounted (I-LINE-UNT1 - 2 pcs)



I-LINE 2.0 (LIGHT LINES) LUMINAIRE - INSTALLATION PROCEDURE :

1. Switch off the supply voltage.
2. Insert the provided wire slings together with the brackets into the luminaire rail holes.
3. Connect the power cord to the power connector:
 - pull the power cable through the rubber loop
 - connect to the starter connector Fig. 2).
 - screw on the end cap
4. Mount another I-LINE luminaire on the wire slings (if necessary, attach to the ceiling the ROZ-NT1 surface-mounted headliner as per relevant instructions) and hang the luminaire.

Select the power cord on the phase selection connector. Connect the luminaires by sliding the guides into the aluminium profile and connecting the central power connectors.
5. Make sure that the luminaires are mounted horizontally (if necessary adjust the length of the sling by screwing it in or out - ATTENTION! At least 7 mm of the adjusting screw must remain in the bracket).
6. Attach the next luminaires to the luminaires already installed following steps 5, 6 and 7.
7. End the light line by removing the securing screws and inserting the guide with the electrical connector inside the luminaire, then install a closing cap (Fig. 2).
8. Make sure that the mechanical assembly is correct.
9. Do not exceed the maximum number of luminaires in a single light line.
10. Make sure that the electrical installation is correct.
11. Switch on supply voltage.

LUMINAIRE IP40, IP44, CONNECTION

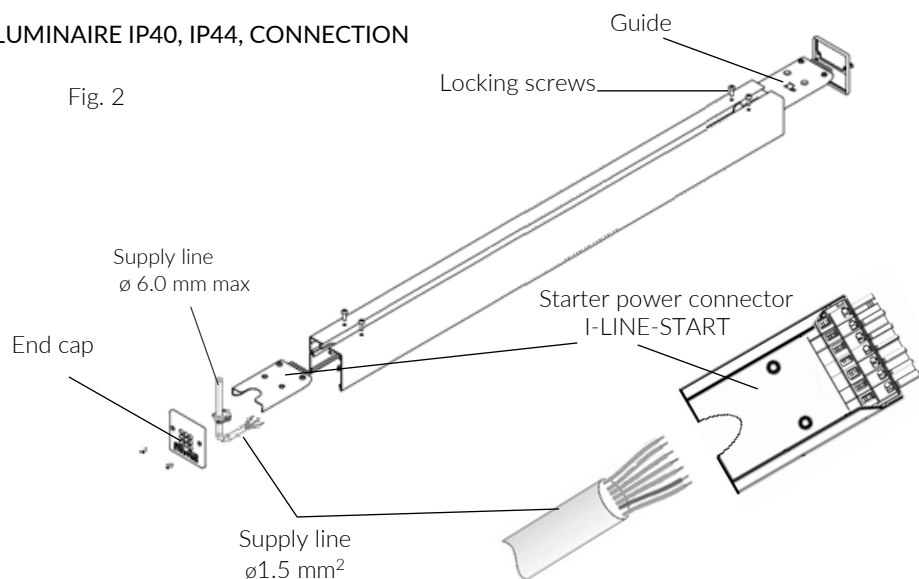
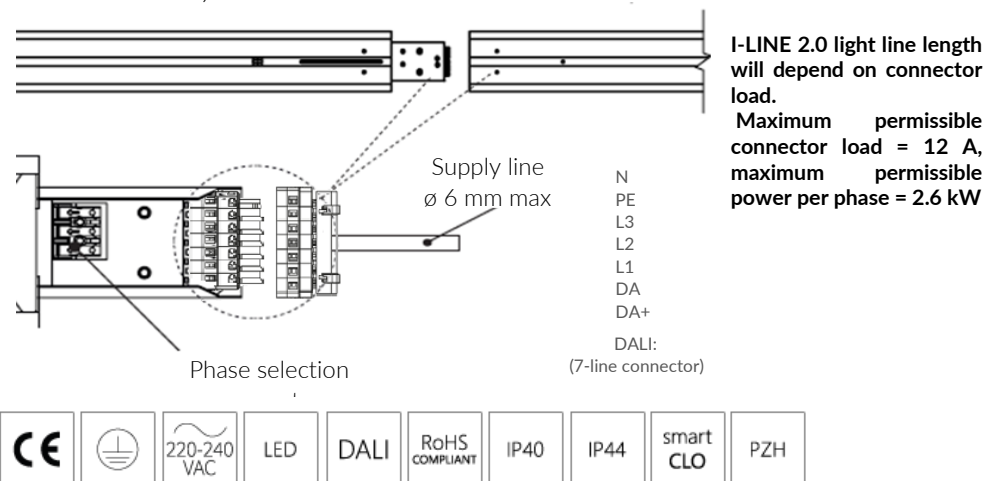


Fig. 2

LUMINAIRE IP44, CONNECTION IP20:



MAINTENANCE:

To ensure optimum luminous flux, carry out routine maintenance of the protective lampshade. Use cleaning agents for this purpose. Do not clean with pressurised water. Do not use caustic agents or solvents. Use a soft cloth to wipe the luminaire dry.

PRODUCT GUARANTEE:

1. The following product of MILOO-ELECTRONICS Sp. z o. o. was designed and manufactured as per the applicable standards. To ensure proper functioning and user safety, the product is subject to quality control procedures during the production process. MILOO-ELECTRONICS Sp. z o. o. grants a guarantee of proper quality and functioning of the luminaire.
2. The guarantee does not include liability for consequential damage caused to third party property.
3. The guarantee service involves repair or replacement of defective parts at manufacturer's discretion.
4. The guarantee will not cover damage to parts subject to wear and tear, damage and malfunctions caused by improper operation or maintenance.
5. During the guarantee period, the manufacturer will correct any deficiencies caused by defects in material or workmanship.
6. The guarantee is valid only if the luminaire (complete rather than disassembled into parts), a brief description of the defect, receipt, bill of sale (with the date of purchase and stamp of the store) or a copy of the purchase invoice is sent or delivered to MILOO-ELECTRONICS Sp. z o. o. location.

For general guarantee terms and conditions visit:

<https://www.emiloo.pl/en/files>

REPAIR SERVICE:

In case of defects subject to guarantee, please send or deliver the product to the address of our company. Any repairs of defects outside the scope of product guarantee as well as post-guarantee repairs are carried out by our in-house service team. Please send or deliver the luminaire to the manufacturer's address for visual inspection and cost estimate. The light source is not intended for replacement by the user. If the light source is damaged, contact the manufacturer. Given the constant product development we reserve the right to introduce design changes in luminaires and update luminaire parameters.

Revision date: 15.10.2021

