



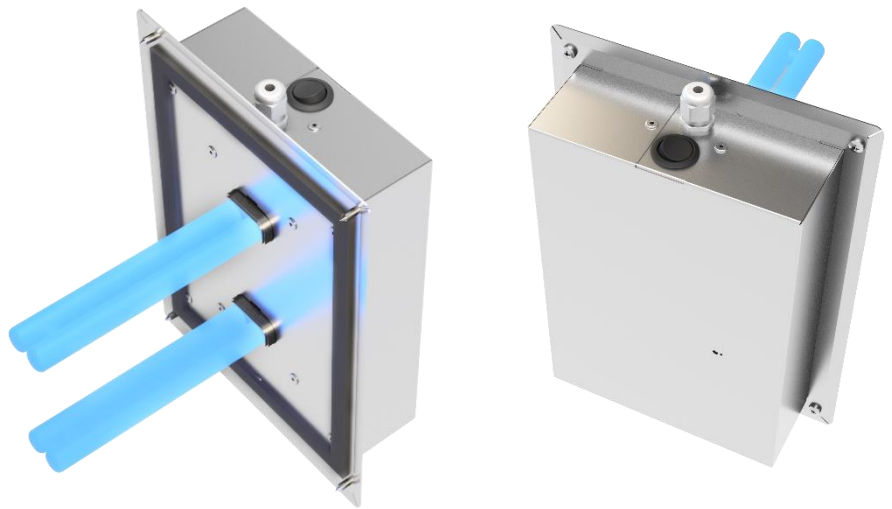
STERYLIS DUCT AIR is an air purifying appliance designed for use in ventilation ducts, within air conditioning evaporators and in filter sections of ventilation systems. The disinfection process is based on UV-C technology, which destroys all pathogens, thus making sure the ventilation system is kept clean and increases the level of air hygiene.

Equipment designed for 24h operation

DEVICE FUNCTIONS:



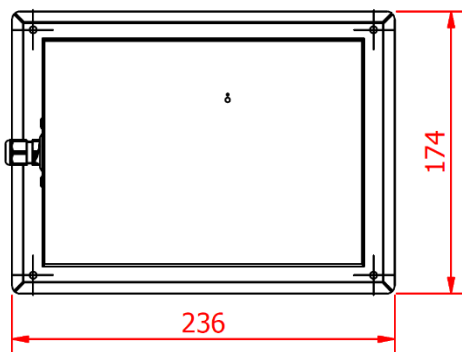
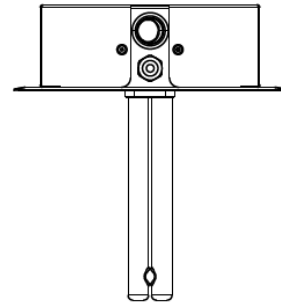
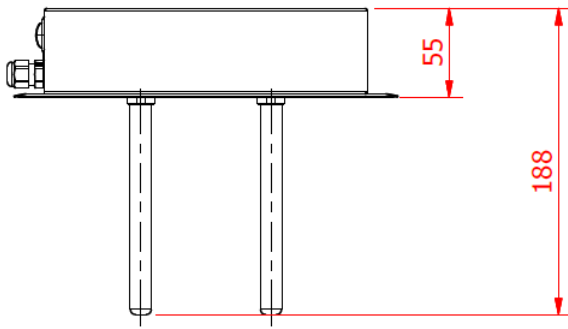
UV-C disinfection



TECHNICAL SPECIFICATIONS:

UV-C lamp	YES
UV-C lamp type	UV-C sterilisation $\lambda = 253.7$ nm
Number of UV-C lamps	2 x 9W / G23
Total electrical output of UV-C sources	18 W
Service life of UV-C lamps	9800 h
Power supply	230 V (AC), 50 Hz
Rated current	0.1 A
Rated power	19 W
Dimensions (H x W x D)	188 x 236 x 174 mm
Net weight	1.4 kg
Housing type	Metal, galvanised
Enclosure IP rating:	IP20
Colour	none
Power cord length	3 m

"Built-in smart controller:" UV-C lamps running time counter, UV-C lamp wear indication, UV-C lamp failure indication



SAMPLE APPLICATION OF STERILIS DUCT AIR:



Given the constant product development we reserve the right to introduce design changes in appliances and update parameters.
Revision date: 08.11.2021